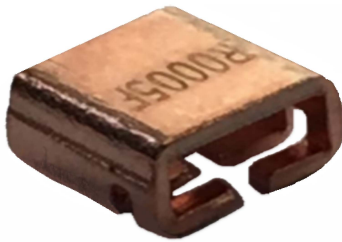


Chip Shunt Resistor



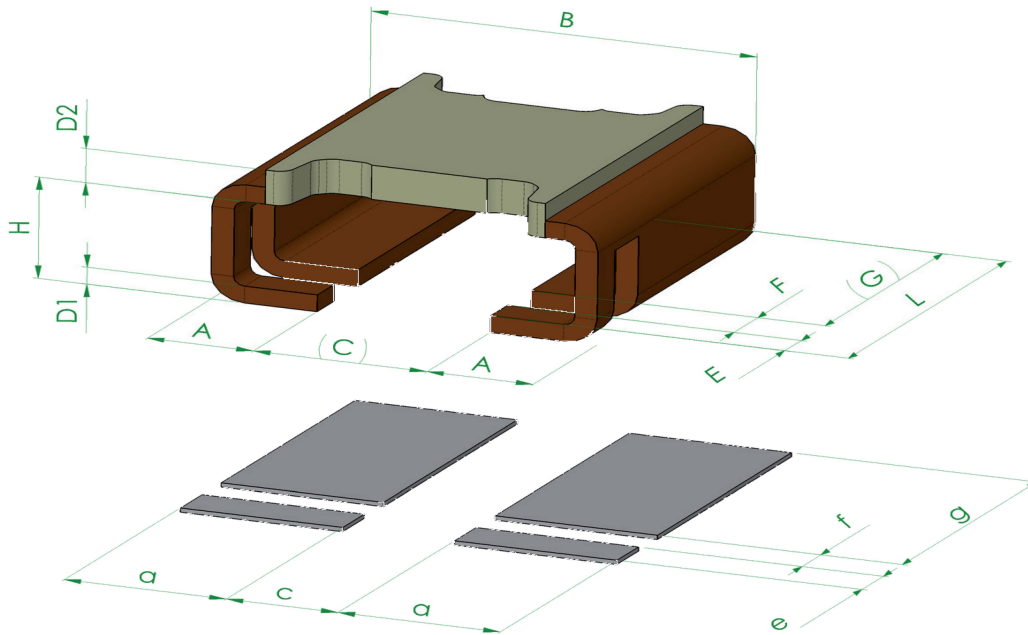
■ Features

- LVB2725 2W to 5W
- LVB value low to 0.2mΩ
- TCR down to 50PPM
- 4-terminal connection
- Excellent long-term stability and low inductance
- Mounting using re-flow soldering or welding on copper

■ Applications

- Current sensors for hybrid power sources
- Frequency converters
- High current automotive

■ Construction



■ Dimensions

Unit: mm

type	A	B	C	D1	D2	E	F	G	H	L
LVB-Z-R0002	1.9 ±0.2	6.9 ±0.2	3.1	0.4 ±0.1	1.2 ±0.1	0.7 ±0.1	1.0 ±0.1	4.9	2.4 ±0.1	6.6 +0.35/-0.2
LVB-Z-R0005	1.9 ±0.2	6.9 ±0.2	3.1	0.4 ±0.1	0.42 ±0.1	0.7 ±0.1	1.0 ±0.1	4.9	2.4 ±0.1	6.6 +0.35/-0.2
LVB-M-R001	1.9 ±0.2	6.9 ±0.2	3.1	0.4 ±0.1	0.35 ±0.1	0.7 ±0.1	1.0 ±0.1	4.9	2.4 ±0.1	6.6 +0.35/-0.2
LVB-V-R002	1.9 ±0.2	6.9 ±0.2	3.1	0.4 ±0.1	0.34 ±0.1	0.7 ±0.1	1.0 ±0.1	4.9	2.4 ±0.1	6.6 +0.35/-0.2
LVB-I-R002	1.9 ±0.2	6.9 ±0.2	3.1	0.4 ±0.1	0.55 ±0.1	0.7 ±0.1	1.0 ±0.1	4.9	2.4 ±0.1	6.6 +0.35/-0.2
LVB-I-R003	1.9 ±0.2	6.9 ±0.2	3.1	0.4 ±0.1	0.36 ±0.1	0.7 ±0.1	1.0 ±0.1	4.9	2.4 ±0.1	6.6 +0.35/-0.2
LVB-I-R004	1.9 ±0.2	6.9 ±0.2	3.1	0.4 ±0.1	0.36 ±0.1	0.7 ±0.1	1.0 ±0.1	4.9	2.4 ±0.1	6.6 +0.35/-0.2
LVB-I-R005	1.9 ±0.2	6.9 ±0.2	3.1	0.4 ±0.1	0.36 ±0.1	0.7 ±0.1	1.0 ±0.1	4.9	2.4 ±0.1	6.6 +0.35/-0.2
LVB-I-R010	1.9 ±0.2	6.9 ±0.2	3.1	0.4 ±0.1	0.36 ±0.1	0.7 ±0.1	1.0 ±0.1	4.9	2.4 ±0.1	6.6 ±0.35/-0.2

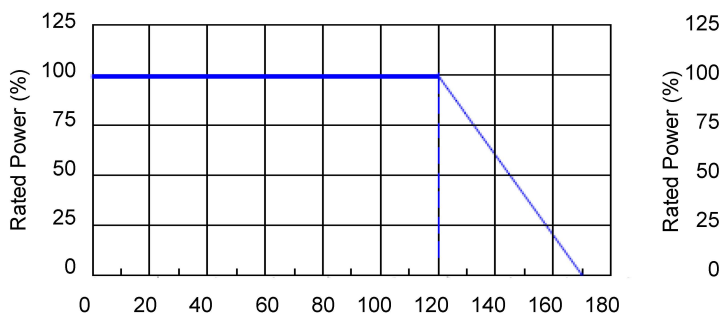
solder pad type:	a	c	e	f	g
LVB	2.9	2.0	0.9	0.8	5.6

Chip Shunt Resistor

Part Numbering

LVB	M	R001	D
Product Type	Material	Resistance	ResistanceToL
	Z: ZERNIN M: MANGANIN I: AISOMHE	R001: 1mΩ	D : 5% F : 1%

Derating Curve



Standard Electrical Specifications

Type(D)	Power Rating	Operating Temp. Range	Resistance Range			TCR (PPM/°C) (+20°C ~ +60°C)
			±1%	±2%	±5%	
LVB2725	5W	-55°C ~ +170°C		0.2mΩ		±50
LVB2725	5W			0.3mΩ		±50
LVB2725	5W			0.5mΩ		±50
LVB2725	5W			1mΩ		±50
LVB2725	4W			2mΩ		±50
LVB2725	4W			4mΩ		±50
LVB2725	4W			5mΩ		±50
LVB2725	4W			6mΩ		±50
LVB2725	4W			8mΩ		±50
LVB2725	10W			10mΩ		±50

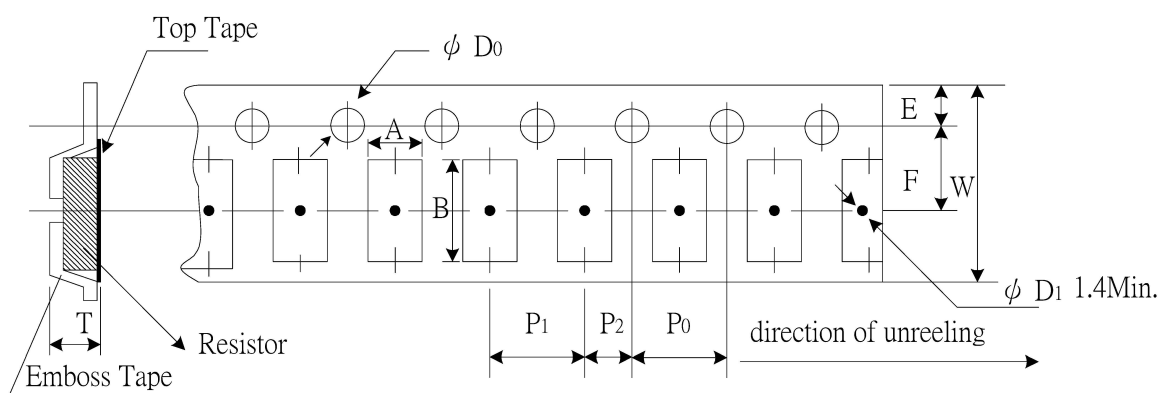
■ Environmental Characteristics

Item	Requirement	Test Method
Short time overload	±0.2%	Rated Power × 5 for 5 seconds
Load Life	±1.0%	90 min. "ON", 30 min. "OFF" for 2000 hours
Resistance to Soldering Heat	±0.5%	260°C for 10 min.
Thermal Shock	±0.1%	-65°C, 25°C, 125°C, 25°C, 25 cycles
Moisture Resistance	±0.2%	90 ~ 98%RH, +25°C, +65°C, -10°C, 10 cycles
High Temperature Exposure	±0.5%	140°C for 250 hours

■ Storage Temperature: 15~28°C; Humidity < 80%RH

■ Packaging

Emboss Plastic Tape Specifications



Unit: mm

Type	A	B	W	E	F	P ₀	P ₁	P ₂	ØD ₀	T	Quantity (EA)
LVB2725	5.7	11.2	16	1.75	7.5	4	12	6	1.50	1.2	3000
LVB2725	8.2	16.1	24	1.75	11.5	4	12	6	1.50	1.9	2000